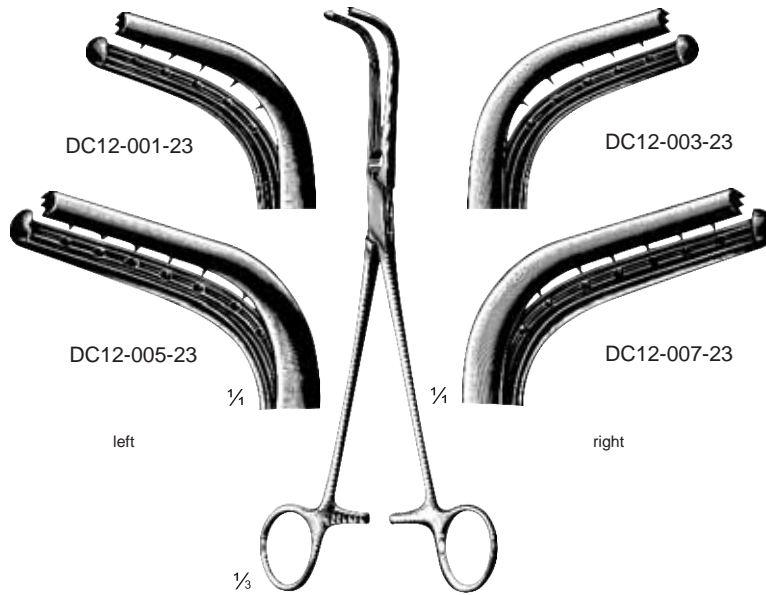
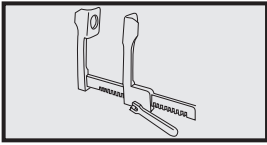


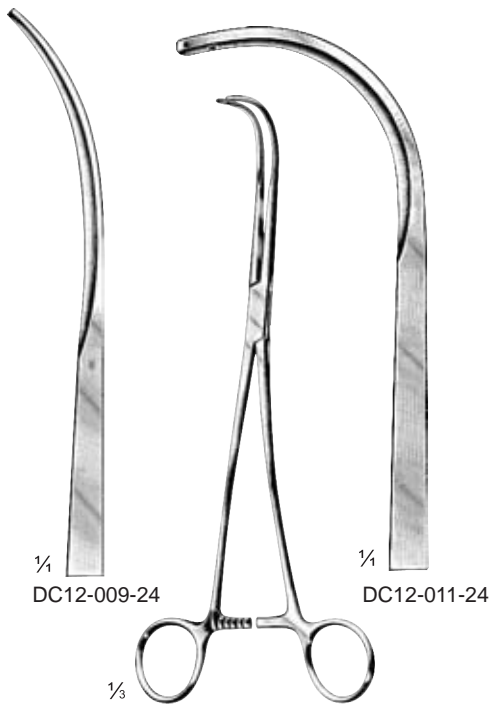
12

Lungs Surgery

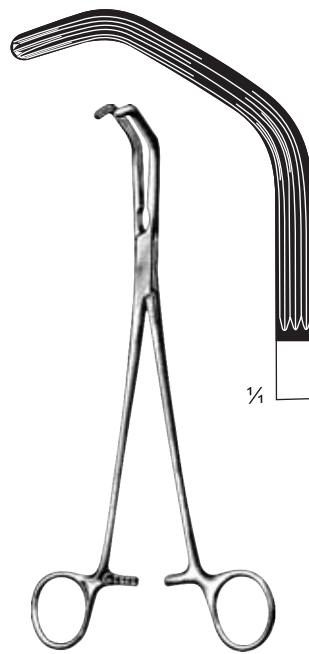




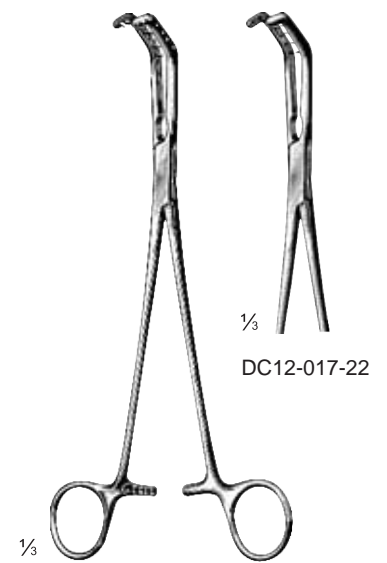
Sarot
DC12-001-23 - DC12-007-23
23 cm/9"



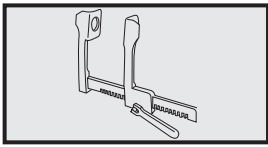
Semb
DC12-009-24 - DC12-011-24
24 cm/9 1/2"



Price-Thomas
DC12-013-22
22 cm/8 3/4"



Price-Thomas
DC12-015-22
22 cm/8 3/4"



Allison
DC12-019-30 = 30 cm/12 3/4"
DC12-019-32 = 32 cm/13"



DC12-021-26
26 cm/10 1/4"



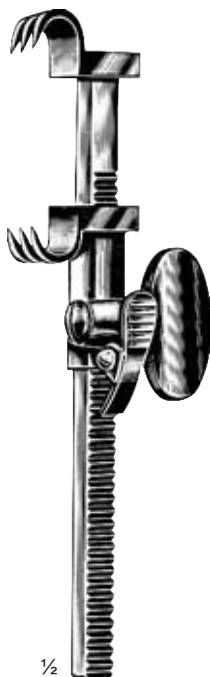
Crafoord
DC12-023-28
28 cm /11"



DC12-025-19
19 cm /7 1/2"



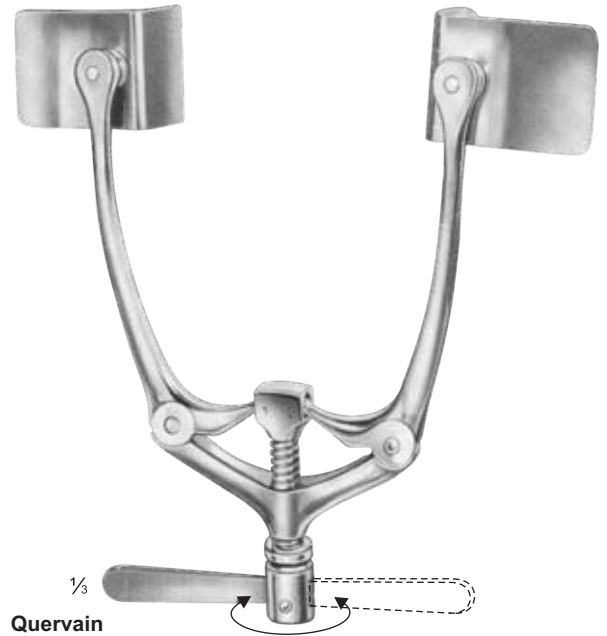
Bailey-Baby
DC12-027-14
14 cm/5 1/2"



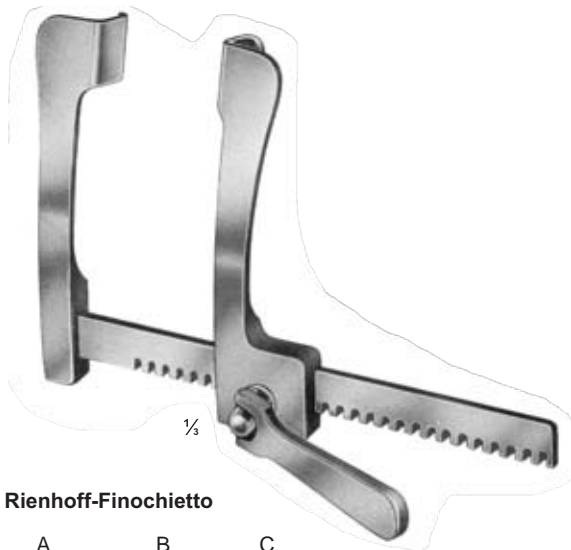
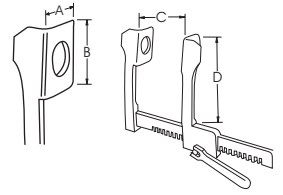
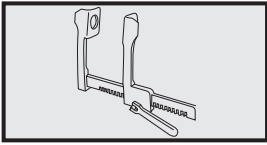
Bailey
DC12-029-16
16 cm/6 1/4"



Bailey-Gibbon
DC12-031-16
16 cm/6 1/4"

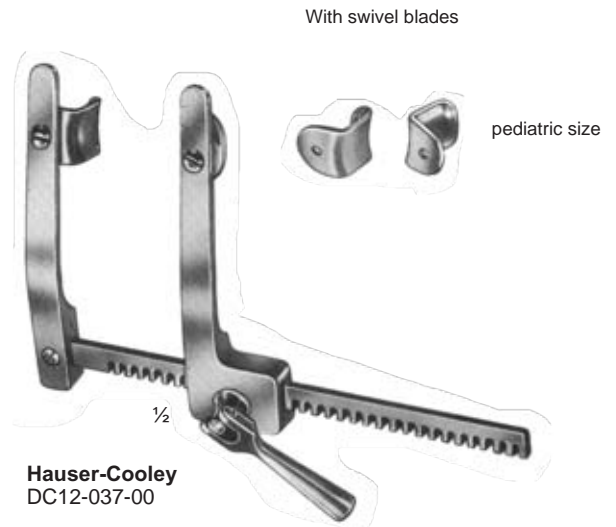


Quervain
DC12-033-00
Rib Spreaders
35 mm 50 mm 180 mm



Rienhoff-Finochietto

A	B	C
21mm	26mm	150mm
DC12-035-26		



With swivel blades

pediatric size

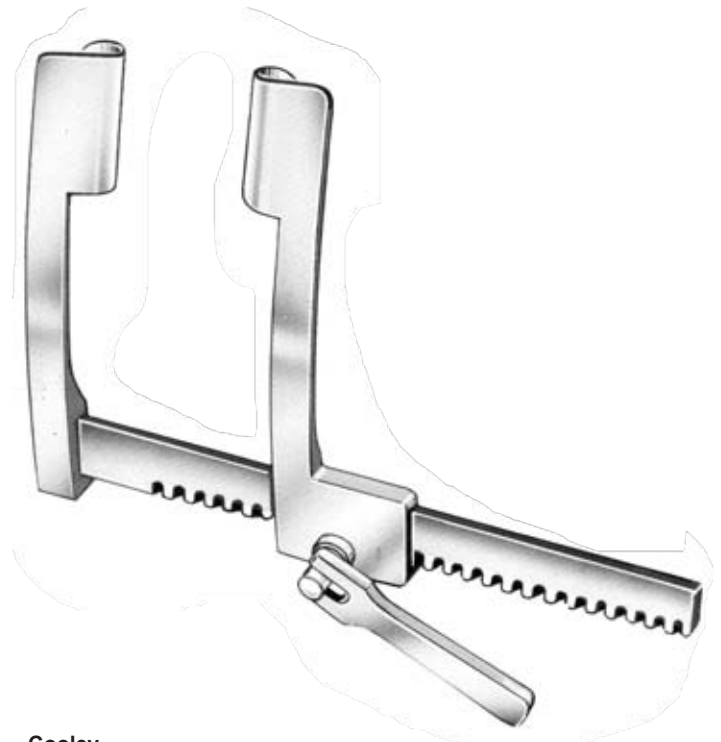
Hauser-Cooley
DC12-037-00



for children

Finochietto-Baby-Haight

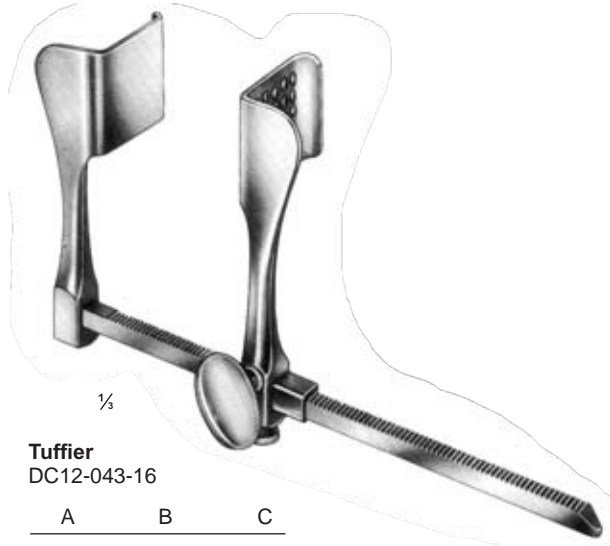
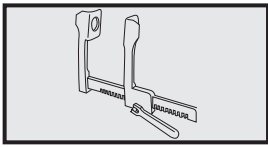
A	B	C
31mm/1¼"	31mm/1¼"	100mm/4"
DC12-039-10		



Cooley

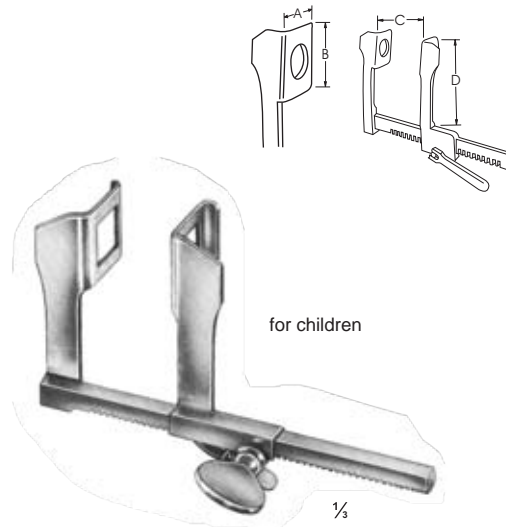
	A	B	C
DC12-041-50	21mm, ¾"	44mm, 1 ¼"	150mm, 6"
DC12-041-00	37mm, 1 ½"	49mm, 1 7/8"	20mm/8"

DC12-041-50 for children
DC12-041-00 for adults



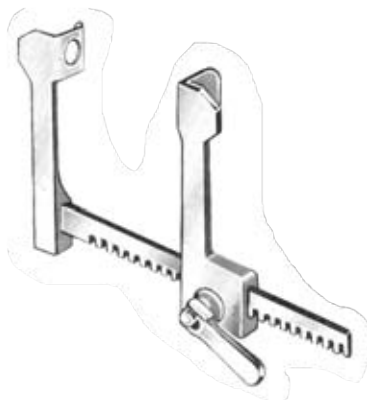
Tuffier
DC12-043-16

A	B	C
50mm	45mm	165mm



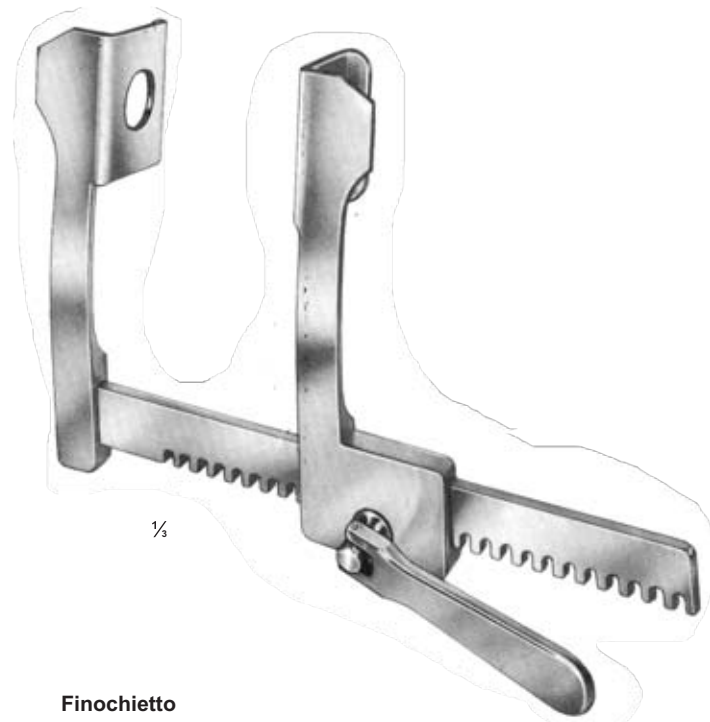
Baby-Haight
DC12-045-90

A	B	C	D
30mm	30mm	90mm	90mm



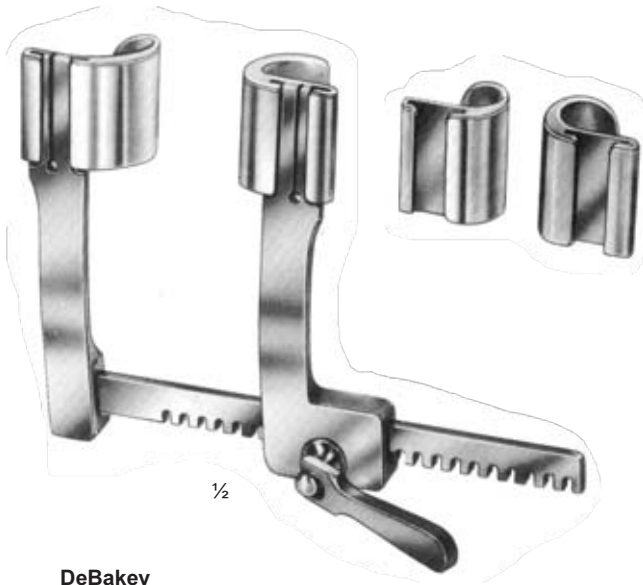
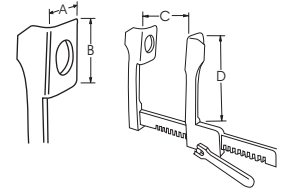
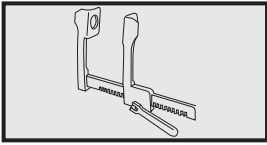
Finochietto-Infant
Finochietto-Baby

	A	B	C
DC12-047-36			36mm
DC12-047-75			75mm
DC12-049-00	7mm	7mm	100mm
DC12-049-25			125mm
DC12-049-50			150mm



Finochietto

	A	B	C
DC12-051-38	38mm	44mm	150mm
DC12-053-52	52mm	62mm	75mm
DC12-053-65	65mm	85mm	75mm

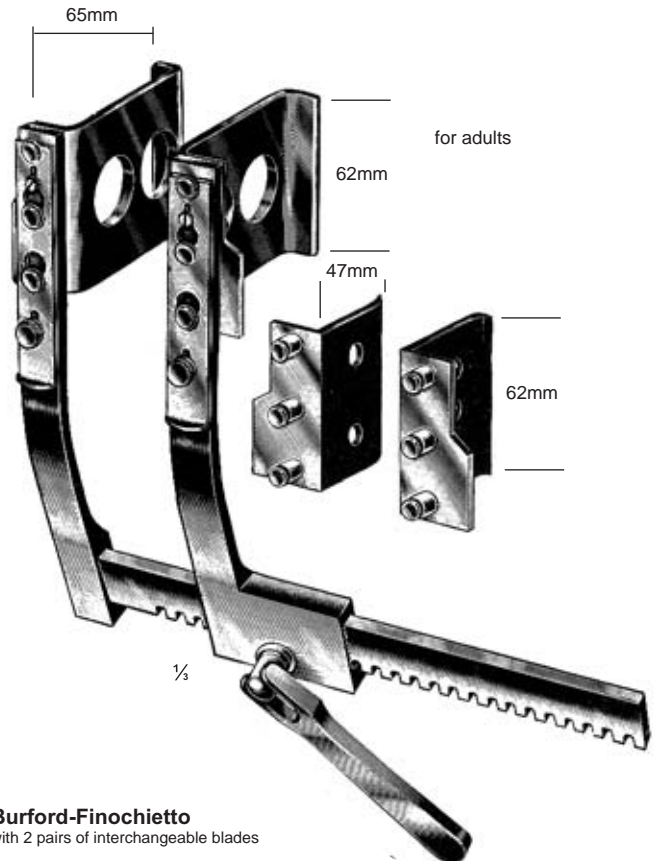


DeBakey
with 2 pairs of interchangeable blades

DC12-055-70
pediatric size

DC12-057-20
for children

DC12-059-00
for adults



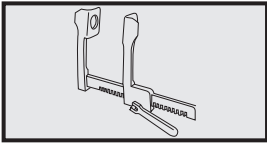
Burford-Finochietto
with 2 pairs of interchangeable blades

DC12-061-20

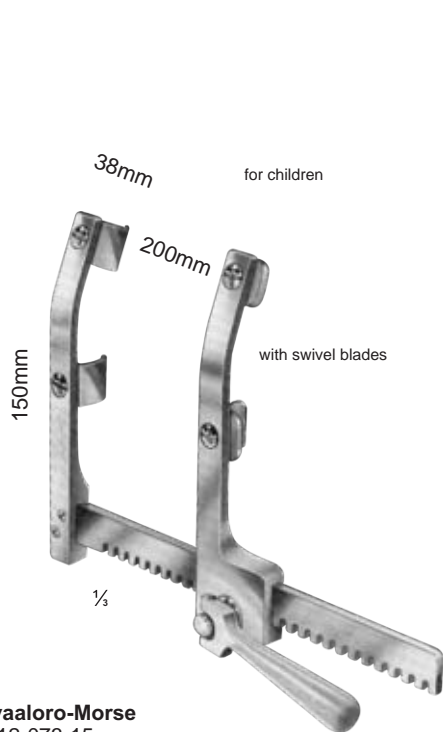
DC12-061-25

DC12-061-30

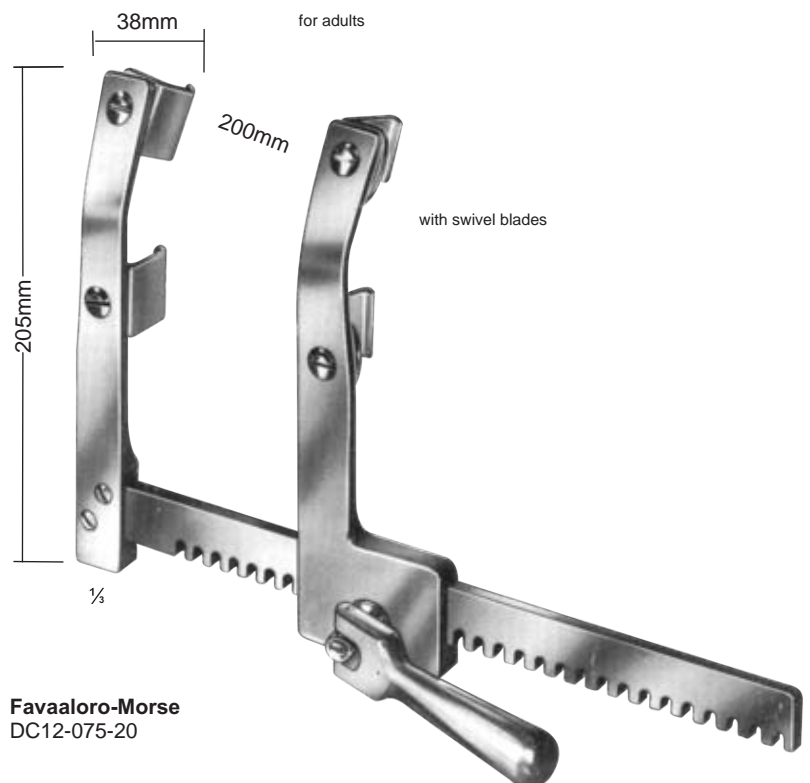
	1. pair of interchangeable blades		2. pair of interchangeable blades		blade opening
	Amm	Bmm	Amm	Bmm	Cmm
DC12-055-70	15	15	15	12	70
DC12-057-20	30	30	30	21	120
DC12-059-00	60	52	60	32	200
DC12-061-20	65	62	47	62	200
DC12-061-25	65	62	47	62	250
DC12-061-30	65	62	47	62	300



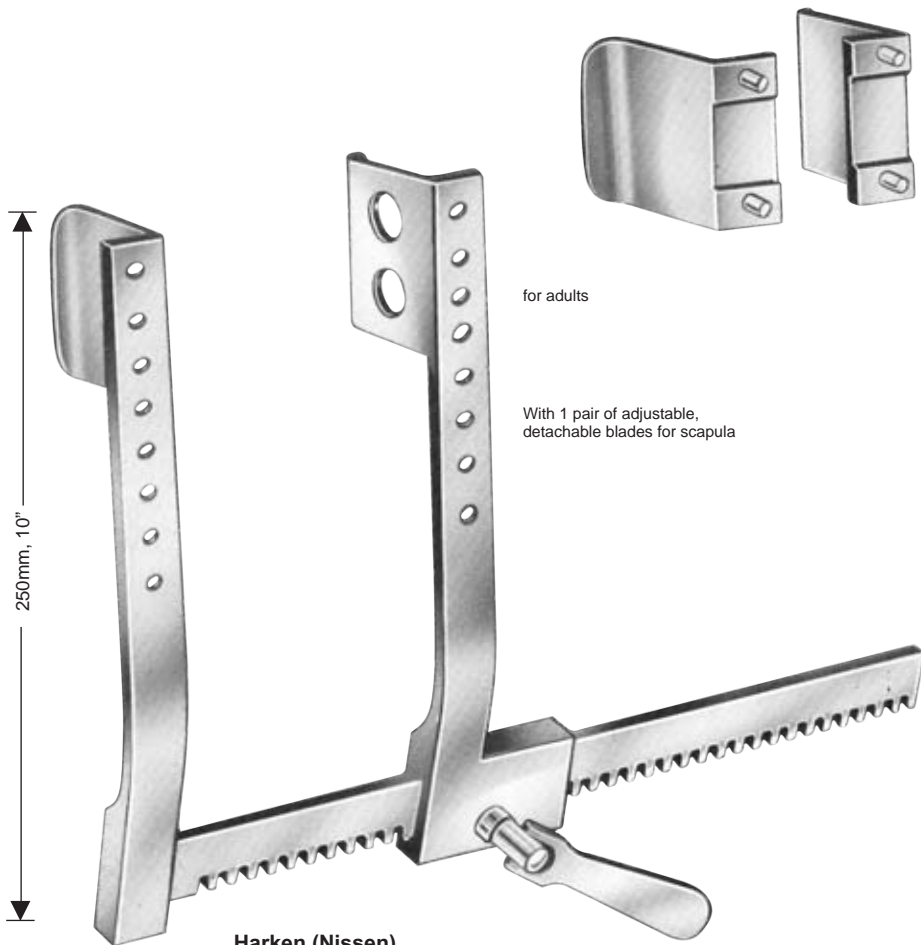
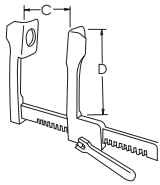
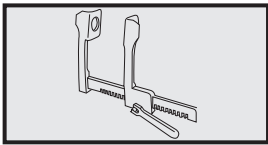
Morse Modif.
DC12-071-20



Favaaloro-Morse
DC12-073-15

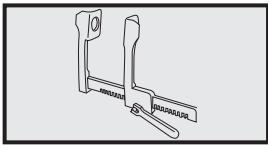


Favaaloro-Morse
DC12-075-20



Harken (Nissen)

	un-removable blades		blades for scapula		blade opening
DC12-077-00	45mm/1¾"	75mm/3"	40mm/1½"	50mm/2"	200mm/8"
DC12-077-50	45mm/1¾"	75mm/3"	40mm/1½"	50mm/2"	250mm/10"



handles with rubber cover

Bethune
DC12-079-34
34 cm / 13 1/2"

1/2



with eccentric sliding blade

Gluck
DC12-081-22
22 cm / 8 3/4"

1/2



Stille
DC12-083-21
21 cm / 8 1/4"

1/2



DC12-085-23
23 cm / 9"
Bone Shears

1/2



DC12-087-22
22 cm / 8 3/4"

1/2



DC12-089-17
17 cm / 6 3/4"

1/2

